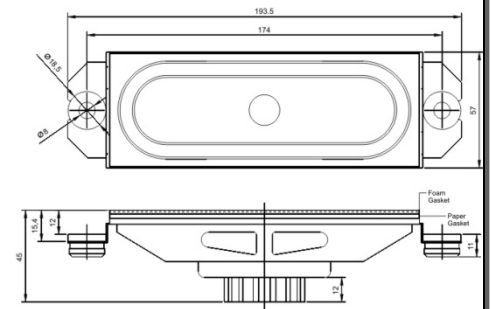




# FULLRANGE 2¼"X6" NEO 8Ω 15W

## Electrical

Size	2¼" x 6"
Type	Full Range Speaker
Impedance	8Ω ±15% @ 600Hz, 1V
D.C. Resistance	7.4Ω ±10 %
Power handling Capacity	Nominal (rms) = 15 Watts
Resonance Frequency	140 Hz ± 20 % @ 1 Volts
Sound Pressure Level	81 dB ±2 dB at @ 300Hz, 400Hz, 500Hz, 600Hz,
Frequency Range	Fo - 20 KHz
Load Test	White Noise @ 15 Watts for 100 Hrs.



## Mechanical

Magnet Main	Ø 15.5 x 4 Neodymium
Chassis	Stamped steel, Zn Plated
Top Plate	Ø 16 x 2 mm Thick CRCA, Zn Plated.
Voice Coil	Ø16 mm, 2 Layers, Cu wire 0.11 mm SV, Kapton Former.
Lead Wire	Cu Braided Wire.
Cone	Paper
Surround	Cloth
Spider	Cloth
Gasket	Paper+Foam

All Dimensions are in mm

