



# FULLRANGE 2"X4" 8Ω 8W

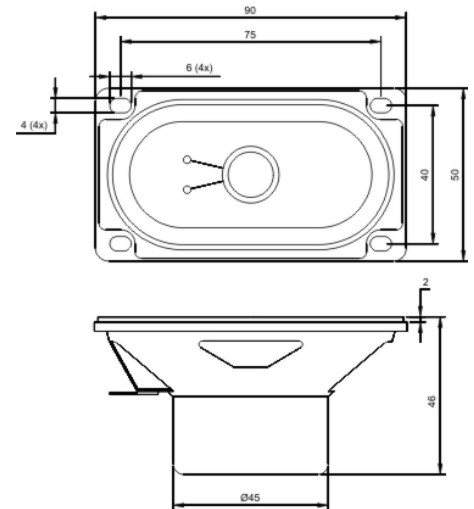
## Electrical

Size	2" x 4" (50mm x 90mm)
Type	Full Range Speaker
Impedance	8Ω ±15% @ 400Hz , 1V
D.C. Resistance	7.4Ω ±10 %
Power handling Capacity	Nom (rms) = 8 Watts
Resonance Frequency	180 Hz ± 20 % @ 1 Volts
Sound Pressure Level	82 dB ±2 dB at @ 300Hz, 400Hz, 500Hz, 600Hz,
Frequency Range	Fo - 20 KHz
Load Test	White Noise @ 8 Watts for 100 Hrs.



## Mechanical

Magnet Main	36 x 18 x 08 mm Barium Ferrite
Magnet Canc.	36 x 18 x 08 mm Barium Ferrite
Chassis	Stamped steel, Zn Plated
Shield Cap	Ø 42 mm, 1mm Thick CRCA, Zn Plated.
Yoke Plate	3.0 mm Thick CRCA, Zn Plated
Voice Coil	Ø15 mm , 2 Layers, Cu wire 0.10 mm SV, Kraft SV Former.
Lead Wire	Cu Braided Wire.
Cone	Paper
Surround	Cloth
Spider	Cloth
Gasket	Paper



All Dimensions are in mm

