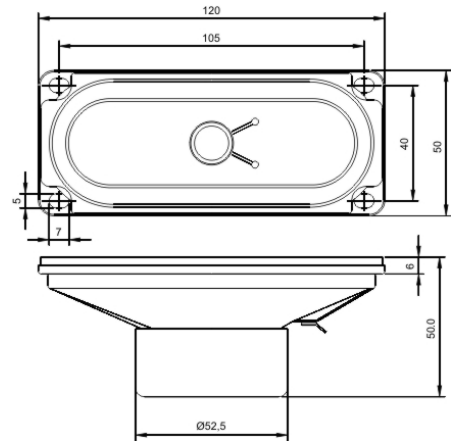




FULLRANGE 2"X5" 8Ω 12.5W

Electrical

Size	2" x 5"
Type	Full Range Speaker
Impedance	8Ω ±15% @ 1KHz , 1 V
D.C. Resistance	7.4Ω ±10 %
Power handling Capacity	Nom (rms) = 12.5 Watts
Resonance Frequency	170 Hz ± 20 % @ 1 Volts
Sound Pressure Level	84 dB ±2 dB at @ 300Hz, 400Hz, 500Hz, 600Hz,
Frequency Range	Fo - 20 KHz
Load Test	White Noise @ 12.5 Watts for 100 Hrs.



All Dimensions are in mm

Mechanical

Magnet Main	43 x 18 x 08 mm Barium Ferrite
Magnet Canc.	36 x 22 x 08 mm Barium Ferrite
Chassis	Stamped steel, Zn Plated
Shield Cap	Ø 47 mm, 1mm Thick CRCA, Zn Plated.
Yoke Plate	3.0 mm Thick CRCA, Zn Plated
Voice Coil	Ø15 mm , 2 Layers, Cu wire 0.10 mm SV, Kraft SV Former.
Lead Wire	Cu Braided Wire.
Cone	Paper
Surround	Cloth
Spider	Cloth
Gasket	Paper

