



FULLRANGE 3" 8Ω 10W

Electrical

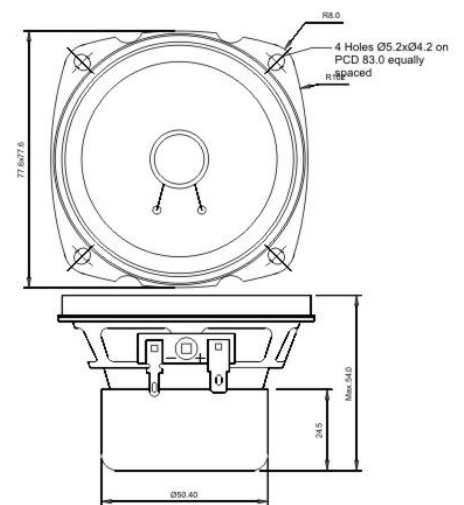
Nominal Impedance	8 Ohms
Resonance Frequency	140 Hz
Power Handling {IEC-268-5C} *	10 Watt
Long Term Power {IEC-268-5L} *	30 Watt
Short Term Power {IEC-268-5S} *	50 Watt
Sensitivity (2.83V/1m)	85 dB
Resistance (DC)	7.4 Ω
Qts	1.46
BL	2.3 T-M
VAS	0.83 Litres



* IEC 268-5 through High Pass (3000 Hz) 2nd Order Filter

Mechanical

Voice Coil Dia	15 mm
Winding Width	5.6 mm
Former	SV
Layers	2
Wire Type	Copper
Magnet	43 mm
Cone Material	Paper
Surround Material	Cloth
Chassis	Plated
Dust Cap	Paper



All Dimensions are in mm

