

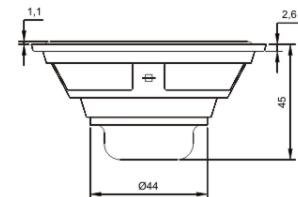
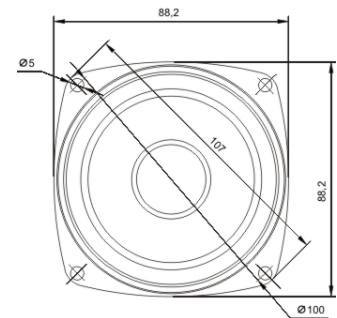


SUBWOOFER

3½" 8Ω 20W

Electrical

| | |
|-------------------------------|-------------|
| Nominal Impedance | 8 Ohms |
| Resonance Frequency | 85 Hz |
| Power Handling {IEC-268-5C} | 20 Watt |
| Long Term Power {IEC-268-5L} | 60 Watt |
| Short Term Power {IEC-268-5S} | 100 Watt |
| Sensitivity (2.83V/1m) | 85 dB |
| Resistance (DC) | 7.4 Ω |
| Qms | 3.11 |
| Qes | 0.8 |
| Qts | 0.63 |
| BL | 6.50 T-M |
| VAS | 1.00 Litres |



All Dimensions are in mm

Mechanical

| | |
|-------------------|------------------------------|
| Voice Coil Dia | 25 mm |
| Winding Width | 7 mm |
| Former | Aluminum |
| Layers | 4 |
| Wire Type | Copper |
| Magnet | 25 mm |
| Cone Material | Paper |
| Surround Material | Rubber |
| Chassis | Stamped Steel, Powder Coated |
| Dust Cap | Paper |

