



SUBWOOFER

5¼" 8Ω 40W

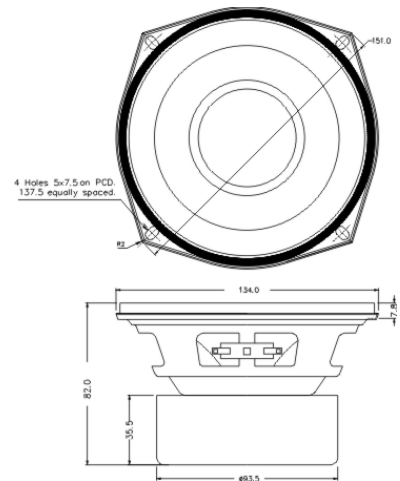
Electrical

Nominal Impedance	8 Ohms
Resonance Frequency	60 Hz
Power Handling {IEC-268-5C}	40 Watt
Long Term Power {IEC-268-5L}	120 Watt
Short Term Power {IEC-268-5S}	200 Watt
Sensitivity (2.83V/1m)	82 dB
Resistance (DC)	7.4 Ω
Qms	3.54
Qes	0.9
Qts	0.71
BL	7.16 T-M
VAS	4.96 Litres



Mechanical

Voice Coil Dia	25 mm
Winding Width	7.6 mm
Former	Aluminum
Layers	4
Wire Type	Copper
Magnet	80 mm
Cone Material	Paper
Surround Material	Rubber
Chassis	Stamped Steel, Zn Plated
Dust Cap	Paper+Foam



All Dimensions are in mm

