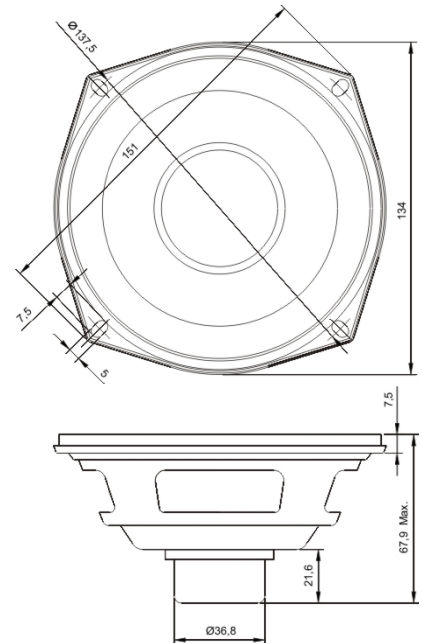




SUBWOOFER 5¼" Neo 8Ω 30W

Electrical

Nominal Impedance	8 Ohms
Resonance Frequency	60 Hz
Power Handling {IEC-268-5C}	30 Watt
Long Term Power {IEC-268-5L}	90 Watt
Short Term Power {IEC-268-5S}	150 Watt
Sensitivity (2.83V/1m)	84 dB
Resistance (DC)	7 Ω
Qms	3.32
Qes	0.87
Qts	0.69
BL	6.25 T-M
VAS	6.32 Litres



All Dimensions are in mm

Mechanical

Voice Coil Dia	25 mm
Winding Width	12 mm
Former	Aluminum
Layers	4
Wire Type	Copper
Magnet	25 mm
Cone Material	Paper
Surround Material	Rubber
Chassis	Stamped Steel, Zn Plated
Dust Cap	Paper

