



SUBWOOFER 6" 4Ω 125W

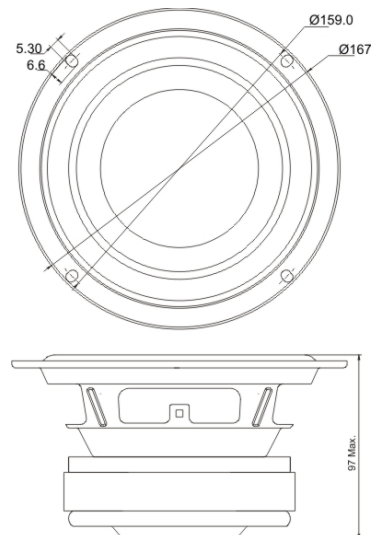
Electrical

Nominal Impedance	4 Ohms
Resonance Frequency	40 Hz
Power Handling {IEC-268-5C}	125 Watt
Long Term Power {IEC-268-5L}	375 Watt
Short Term Power {IEC-268-5S}	600 Watt
Sensitivity (2.83V/1m)	88 dB
Resistance (DC)	3 Ω
Qms	5.01
Qes	0.3
Qts	0.28
BL	9.90 T-M
VAS	9.70 Litres



Mechanical

Voice Coil Dia	50 mm
Winding Width	16 mm
Former	Aluminum
Layers	4
Wire Type	Copper
Magnet	120 mm
Cone Material	Air Dried Paper
Surround Material	Rubber
Chassis	Stamped Steel, Powder Coated
Dust Cap	Paper



All Dimensions are in mm

