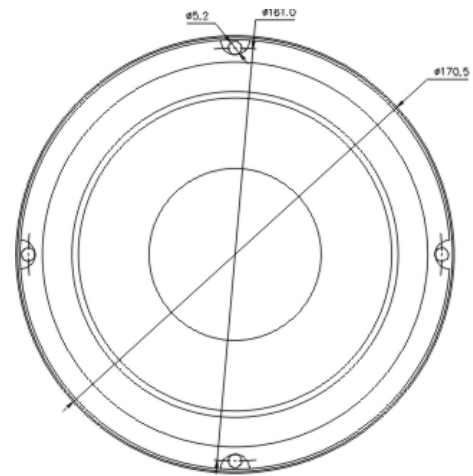




SUBWOOFER 6" 8Ω 40W

Electrical

Nominal Impedance	8 Ohms
Resonance Frequency	40 Hz
Power Handling {IEC-268-5C}	40 Watt
Long Term Power {IEC-268-5L}	120 Watt
Short Term Power {IEC-268-5S}	200 Watt
Sensitivity (2.83V/1m)	88 dB
Resistance (DC)	5.5 Ω
Qms	4.38
Qes	1.1
Qts	0.63
BL	4.78 T-M
VAS	21.51Liters



Mechanical

Voice Coil Dia	25 mm
Winding Width	9.6 mm
Former	Aluminum
Layers	4
Wire Type	Copper
Magnet	72 mm
Cone Material	Polypropylene
Surround Material	Rubber
Chassis	Stamped Steel, Powder Coated
Dust Cap	Polypropylene

All Dimensions are in mm

