

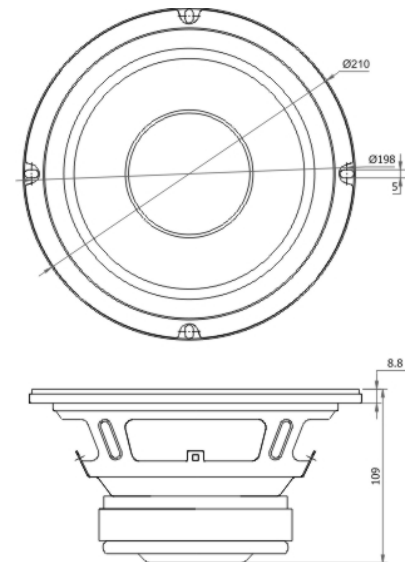


SUBWOOFER

8" 4Ω 125W

Electrical

Nominal Impedance	4 Ohms
Resonance Frequency	30 Hz
Power Handling {IEC-268-5C}	125 Watt
Long Term Power {IEC-268-5L}	375 Watt
Short Term Power {IEC-268-5S}	600 Watt
Sensitivity (2.83V/1m)	90 dB
Resistance (DC)	3.5 Ω
Qms	5.48
Qes	0.33
Qts	0.31
BL	10.9 T-M
VAS	33.89 Litres



Mechanical

Voice Coil Dia	50 mm
Winding Width	21.5 mm
Former	Aluminium
Layers	4
Wire Type	Copper
Magnet	120 mm
Cone Material	Polypropylene
Surround Material	Rubber
Chassis	Stamped Steel, Powder Coated
Dust Cap	Paper

All Dimensions are in mm

