

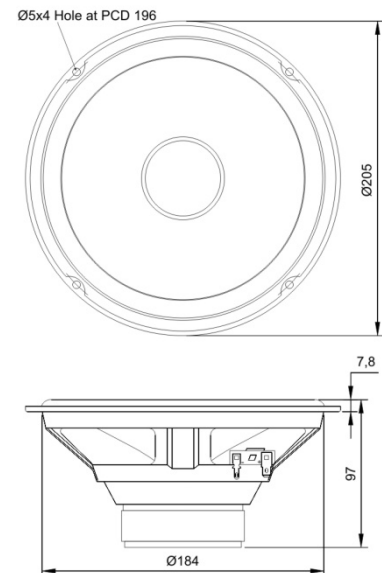


SUBWOOFER

8" 8Ω 75W

Electrical

Nominal Impedance	8 Ohms
Resonance Frequency	40 Hz
Power Handling {IEC-268-5C}	75 Watt
Long Term Power {IEC-268-5L}	225 Watt
Short Term Power {IEC-268-5S}	375 Watt
Sensitivity (2.83V/1m)	88 dB
Resistance (DC)	7.4 Ω
Qms	3.07
Qes	0.93
Qts	0.71
BL	6.213 T-M
VAS	57.73 Litres



All Dimensions are in mm

Mechanical

Voice Coil Dia	30 mm
Winding Width	12 mm
Former	Aluminium
Layers	4
Wire Type	Copper
Magnet	80 mm
Cone Material	Coated Paper
Surround Material	Rubber
Chassis	Powder Coated
Dust Cap	Coated Paper

