

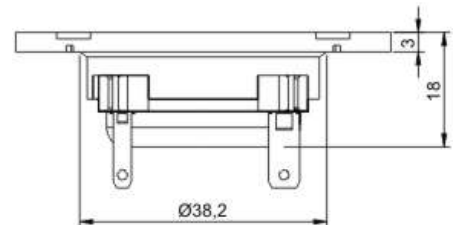
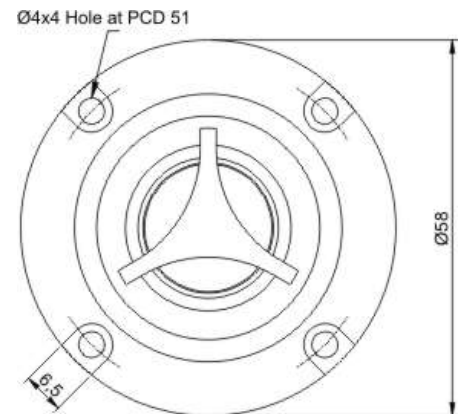


TWEETERS D21AN RD FP



Specifications

Nominal Impedance	6 Ohms
Resonance Frequency	1800 Hz
Operating Range	3,000 Hz to 20,000 Hz
Power Handling {IEC-268-5C} *	10 Watt
Long Term Power {IEC-268-5L} *	30 Watt
Short Term Power {IEC-268-5S} *	50 Watt
Sensitivity (2.83V/1m)	92.5 dB
Voice Coil Diameter	19 mm
Former Material	Aluminum
Layers	2
Voice Coil Wire Type	Round Copper
Magnet Material	Neodymium
Dome Material	Aluminum
Surround Material	Coated Fabric
Front Plate Type	Moulded Plastic With Phase Plug



All Dimensions are in mm

* IEC 268-5 through High Pass (3000 Hz) 2nd Order Filter

