

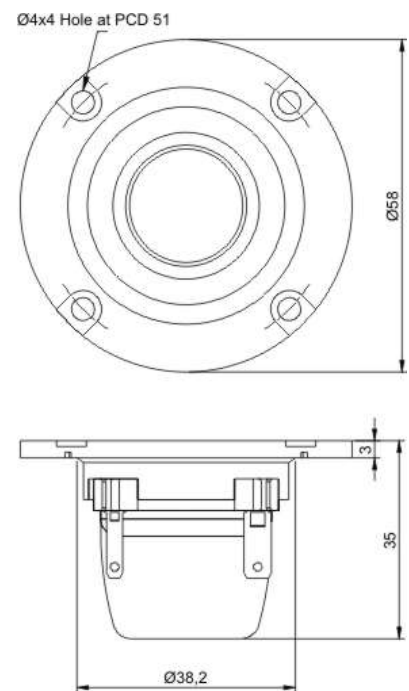


# TWEETERS D21SN LFS RDFP



## Specifications

<b>Nominal Impedance</b>	6 Ohms
<b>Resonance Frequency</b>	1050 Hz
<b>Operating Range</b>	1,500 Hz to 20,000 Hz
<b>Power Handling {IEC-268-5C} *</b>	10 Watt
<b>Long Term Power {IEC-268-5L} *</b>	30 Watt
<b>Short Term Power {IEC-268-5S} *</b>	50 Watt
<b>Sensitivity (2.83V/1m)</b>	89.5 dB
<b>Voice Coil Diameter</b>	19 mm
<b>Former Material</b>	Aluminum
<b>Layers</b>	2
<b>Voice Coil Wire Type</b>	Round Copper
<b>Magnet Material</b>	Neodymium
<b>Dome Material</b>	Silk
<b>Surround Material</b>	Silk
<b>Front Plate Type</b>	Moulded Plastic



\* IEC 268-5 through High Pass (1800 Hz) 2nd Order Filter

All Dimensions are in mm

