

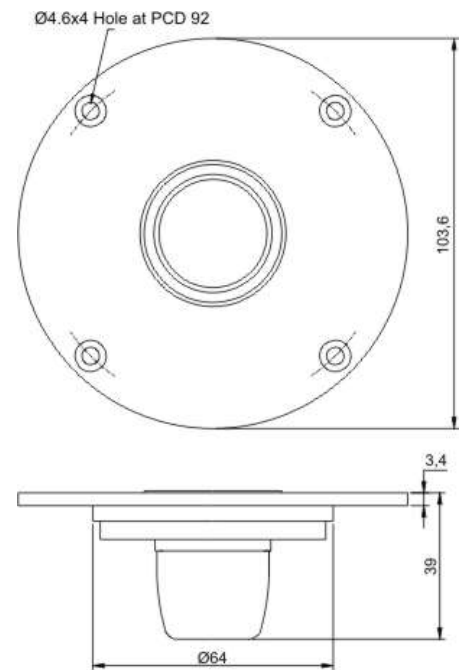


TWEETERS D22MG LFS UPOT



Specifications

Nominal Impedance	6 Ohms
Resonance Frequency	700 Hz
Operating Range	900 Hz to 20,000 Hz
Power Handling {IEC-268-5C} *	10 Watt
Long Term Power {IEC-268-5L} *	30 Watt
Short Term Power {IEC-268-5S} *	50 Watt
Sensitivity (2.83V/1m)	89.30 dB
Voice Coil Diameter	19 mm
Former Material	Aluminum
Layers	2
Voice Coil Wire Type	Round Copper
Magnet Material	Neodymium
Dome Material	Magnesium
Surround Material	Wide Roll Silk
Front Plate Type	CNC Machined Aluminum



* IIEC 268-5 through High Pass (1200 Hz) 2nd Order Filter

All Dimensions are in mm

