

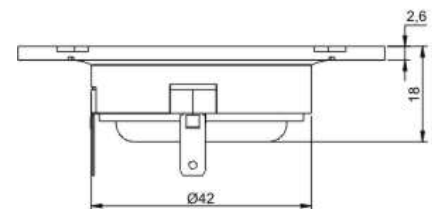
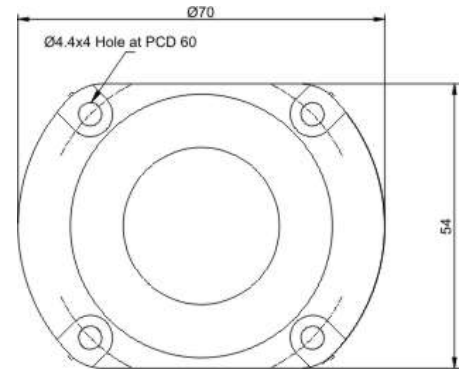


# TWEETERS D27SN CR FP



## Specifications

|  |                       |
|--|-----------------------|
| <b>Nominal Impedance</b>               | 6 Ohms                |
| <b>Resonance Frequency</b>             | 1300 Hz               |
| <b>Operating Range</b>                 | 2,000 Hz to 20,000 Hz |
| <b>Power Handling {IEC-268-5C} *</b>   | 15 Watt               |
| <b>Long Term Power {IEC-268-5L} *</b>  | 45 Watt               |
| <b>Short Term Power {IEC-268-5S} *</b> | 75 Watt               |
| <b>Sensitivity (2.83V/1m)</b>          | 90.0 dB               |
| <b>Voice Coil Diameter</b>             | 25 mm                 |
| <b>Former Material</b>                 | Aluminum              |
| <b>Layers</b>                          | 2                     |
| <b>Voice Coil Wire Type</b>            | Round Copper          |
| <b>Magnet Material</b>                 | Neodymium             |
| <b>Dome Material</b>                   | Coated Fabric         |
| <b>Surround Material</b>               | Coated Fabric         |
| <b>Front Plate Type</b>                | Moulded Plastic       |



All Dimensions are in mm

\* IEC 268-5 through High Pass (2500 Hz) 2nd Order Filter

