

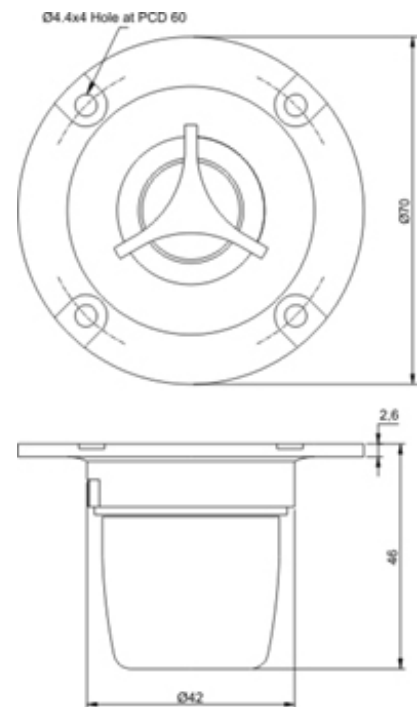


TWEETERS D27TN LFS RDFP



Specifications

Nominal Impedance	6 Ohms
Resonance Frequency	900 Hz
Operating Range	1,500 Hz to 20,000 Hz
Power Handling {IEC-268-5C} *	15 Watt
Long Term Power {IEC-268-5L} *	45 Watt
Short Term Power {IEC-268-5S} *	60 Watt
Sensitivity (2.83V/1m)	91.7 dB
Voice Coil Diameter	25 mm
Former Material	Aluminum
Layers	2
Voice Coil Wire Type	Round Copper
Magnet Material	Neodymium
Dome Material	Titanium
Surround Material	Supranyl
Front Plate Type	Moulded Plastic



* IEC 268-5 through High Pass (1800 Hz) 2nd Order Filter

All Dimensions are in mm

