



WOOFER 3" 8Ω 20W

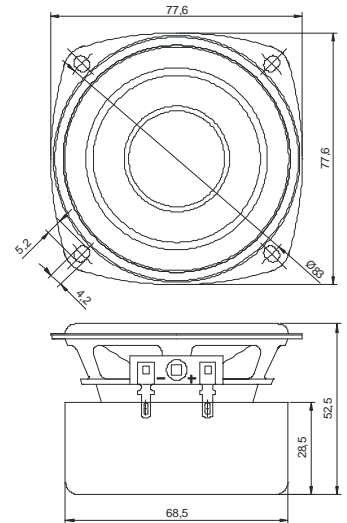
Electrical

Nominal Impedance	8 Ohms
Resonance Frequency	100 Hz
Power Handling {IEC-268-5C}	20 Watt
Long Term Power {IEC-268-5L}	60 Watt
Short Term Power {IEC-268-5S}	100 Watt
Sensitivity (2.83V/1m)	84 dB
Resistance (DC)	6.0 Ω
Qms	2.23
Qes	1.10
Qts	0.66
BL	3.65 T-M
VAS	0.92 Litres



Mechanical

Voice Coil Dia	19 mm
Winding Width	4.5 mm
Former	Aluminum
Layers	2
Wire Type	Copper
Magnet	60 mm
Cone Material	Aluminum
Surround Material	Rubber
Chassis	Stamped Steel, Powder Coated
Dust Cap	Aluminum



All Dimensions are in mm

