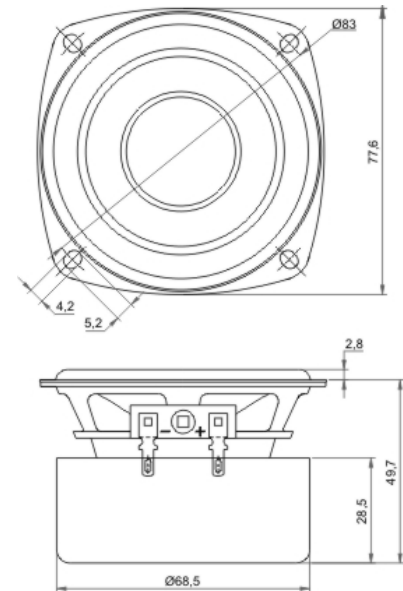




WOOFER 3" 8Ω 20W

Electrical

Nominal Impedance	8 Ohms
Resonance Frequency	120 Hz
Power Handling {IEC-268-5C} *	20 Watt
Long Term Power {IEC-268-5L} *	60 Watt
Short Term Power {IEC-268-5S} *	100 Watt
Sensitivity (2.83V/1m)	84 dB
Resistance (DC)	6.8 Ω
Qms	2.23
Qes	1.10
Qts	0.74
BL	3.3 T-M
VAS	0.93 Liters



All Dimensions are in mm

Mechanical

Voice Coil Dia	19 mm
Winding Width	5.1 mm
Former	Aluminum
Layers	2
Wire Type	Copper
Magnet	60 mm
Cone Material	Coated Paper
Surround Material	Rubber
Chassis	Stamped Steel, Powder Coated
Dust Cap	Coated Paper

