

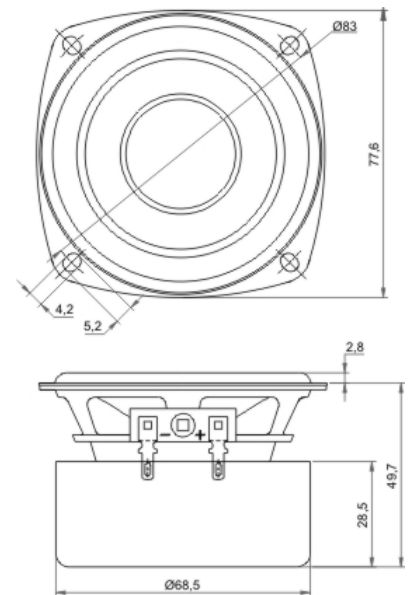


WOOFER

3½" 4Ω 20W

Electrical

Nominal Impedance	4 Ohms
Resonance Frequency	105 Hz
Power Handling {IEC-268-5C} *	20 Watt
Long Term Power {IEC-268-5L} *	60 Watt
Short Term Power {IEC-268-5S} *	100 Watt
Sensitivity (2.83V/1m)	89 dB
Resistance (DC)	3.2 Ω
Qms	4.26
Qes	1.01
Qts	0.82
BL	2.87 T-M
VAS	1.31 Litres



All Dimensions are in mm

Mechanical

Voice Coil Dia	19 mm
Winding Width	4.67 mm
Former	Aluminium
Layers	2
Wire Type	Copper
Magnet	60 mm
Cone Material	Injected PP
Surround Material	Rubber
Chassis	Stamped Steel, Powder Coated
Dust Cap	PP Phase Plug

