



# WOOFER

## 4" 8Ω 25W

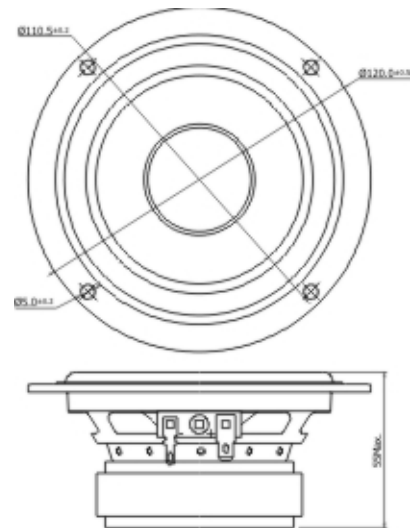
### Electrical

Nominal Impedance	8 Ohms
Resonance Frequency	100 Hz
Power Handling {IEC-268-5C}	25 Watt
Long Term Power {IEC-268-5L}	75 Watt
Short Term Power {IEC-268-5S}	125 Watt
Sensitivity (2.83V/1m)	88 dB
Resistance (DC)	7.4 Ω
Qms	2.81
Qes	0.85
Qts	0.65
BL	4.69 T-M
VAS	3.18 Liters



### Mechanical

Voice Coil Dia	25 mm
Winding Width	5 mm
Former	Aluminum
Layers	2
Wire Type	Copper
Magnet	72 mm
Cone Material	Coated Paper
Surround Material	Rubber
Chassis	Stamped Steel, Powder Coated
Dust Cap	Coated Paper



All Dimensions are in mm

