

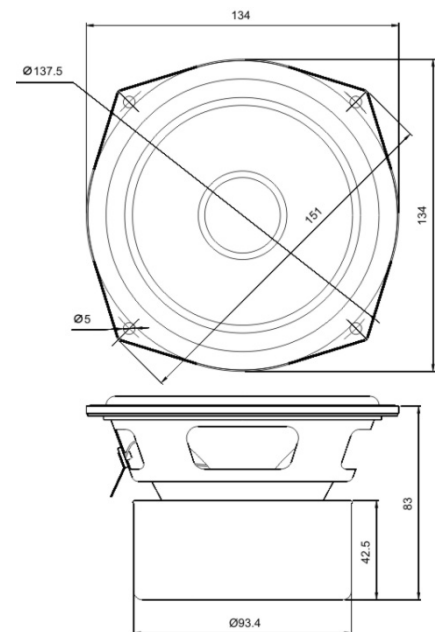


WOOFER

5¼" 4Ω 40W

Electrical

Nominal Impedance	4 Ohms
Resonance Frequency	63 Hz
Power Handling {IEC-268-5C}	40 Watt
Long Term Power {IEC-268-5L}	120 Watt
Short Term Power {IEC-268-5S}	200 Watt
Sensitivity (2.83V/1m)	91 dB
Resistance (DC)	3 Ω
Qms	4.61
Qes	0.44
Qts	0.4
BL	4.84 T-M
VAS	9.21 Liters



All Dimensions are in mm

Mechanical

Voice Coil Dia	25 mm
Winding Width	9 mm
Former	Aluminum
Layers	2
Wire Type	Copper
Magnet	80 mm
Cone Material	Injected PP`
Surround Material	Rubber
Chassis	Stamped Steel, Powder Coated
Dust Cap	PP Phase Plug

